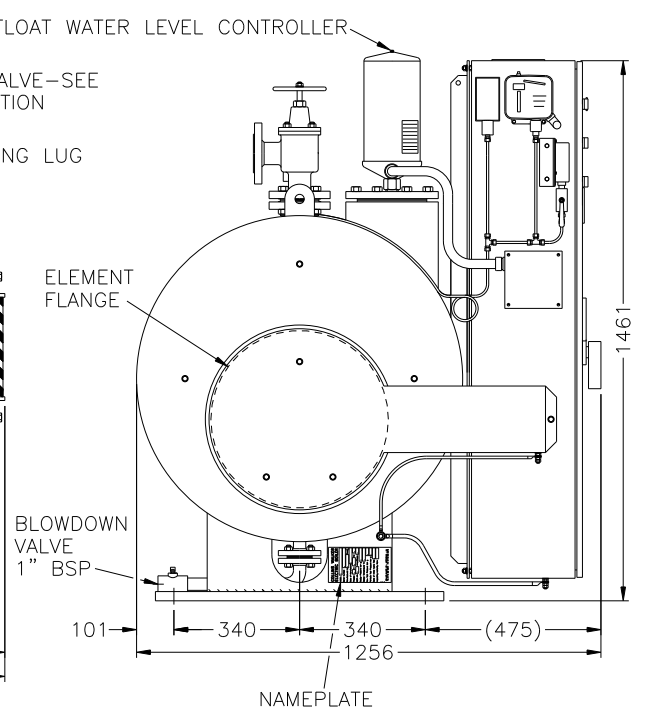
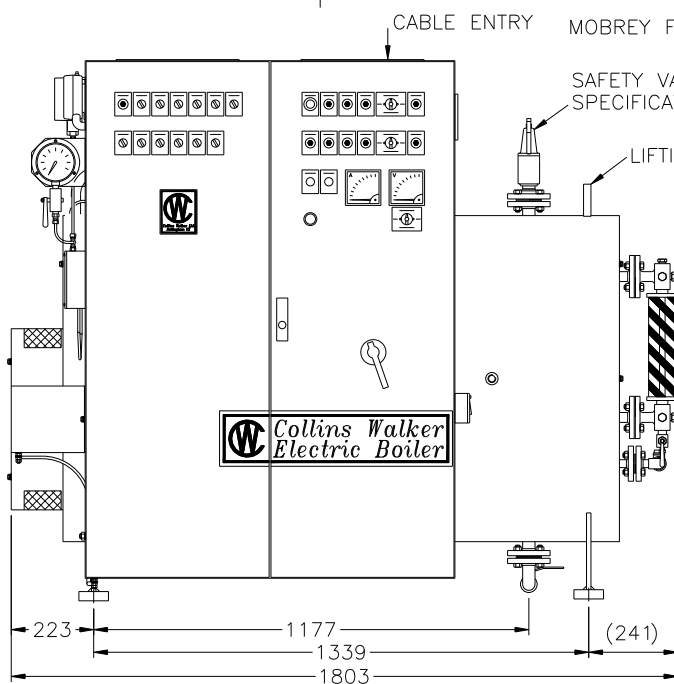
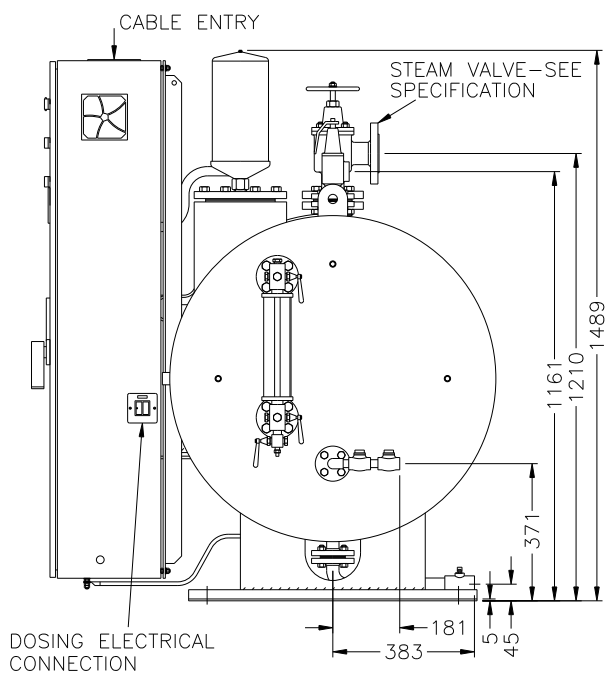


1 2 3 4 5 6 7 8

A B C D E F G H



4 OFF Ø20 HOLES FOR FOUNDATION BOLTS

TERMINAL GUARD

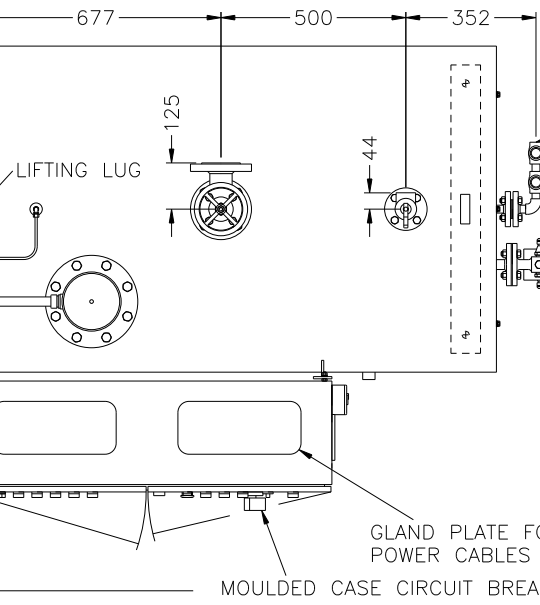
MINIMUM CLEARANCE FOR ELEMENT FLANGE WITHDRAWAL 1500

MINIMUM CLEARANCE TO OPEN DOORS 1300

PRESSURE SWITCH

PRESSURE CONTROLLER

PRESSURE GAUGE



A FEEDWATER PUMP (NOT SHOWN) IS SUPPLIED COMPLETE WITH ASSEMBLED ISOLATING VALVE, STRAINER AND PIPE—WORK TO BOILER FEEDWATER INLET

ALL FLANGES BS4504 PN16

IN THE INTEREST OF CONTINUOUS DEVELOPMENT COLLINS WALKER LTD RESERVE THE RIGHT TO CHANGE THE SPECIFICATION WITHOUT NOTICE

<b>COLLINS WALKER Ltd</b> <small>THIS DRAWING IS THE PROPERTY OF COLLINS WALKER LTD IN WHOM THE COPYRIGHT SUBSISTS</small>		ALL DIMENSIONS IN MM ORIGINAL DWG SIZE A3 DO NOT SCALE DWG	
		TITLE GENERAL ARRANGEMENT IS20 TO IS52	SCALE 1:15
DRAWN M J DODD		CHK'D M BROWN	
APP'D C G		APP'D C GODDARD	
DATE 14.06.95		DATE 16.02.2006	
JOB NO. . . . .		CLIENT . . . . .	
SUPERSEDES DWG 12040-1 & A033-2-A		NO SHTS 5	
DATE . . . . .		DWG NO A033	
DATE . . . . .		SHT REV 3 C	

REV'N B	INCORPORATES IS20 TO IS32 PREVIOUSLY ON SHEET 2. PRESSURE CONTROLS NOW ON LEFT.	REV'N C	CUBICLE NOW AE1114/200 HEIGHT 1461 WAS 1561.	REV'N		REV'N		REV'N		REV'N	
DRAWN MJD		DRAWN MJD		DRAWN		DRAWN		DRAWN		DRAWN	
CHK'D IRG		CHK'D TA		CHK'D		CHK'D		CHK'D		CHK'D	
APP'D CG		APP'D CG		APP'D		APP'D		APP'D		APP'D	
DATE 14.06.95		DATE 26.09.96		DATE		DATE		DATE		DATE	

1 2 3 4 5 6 7 8